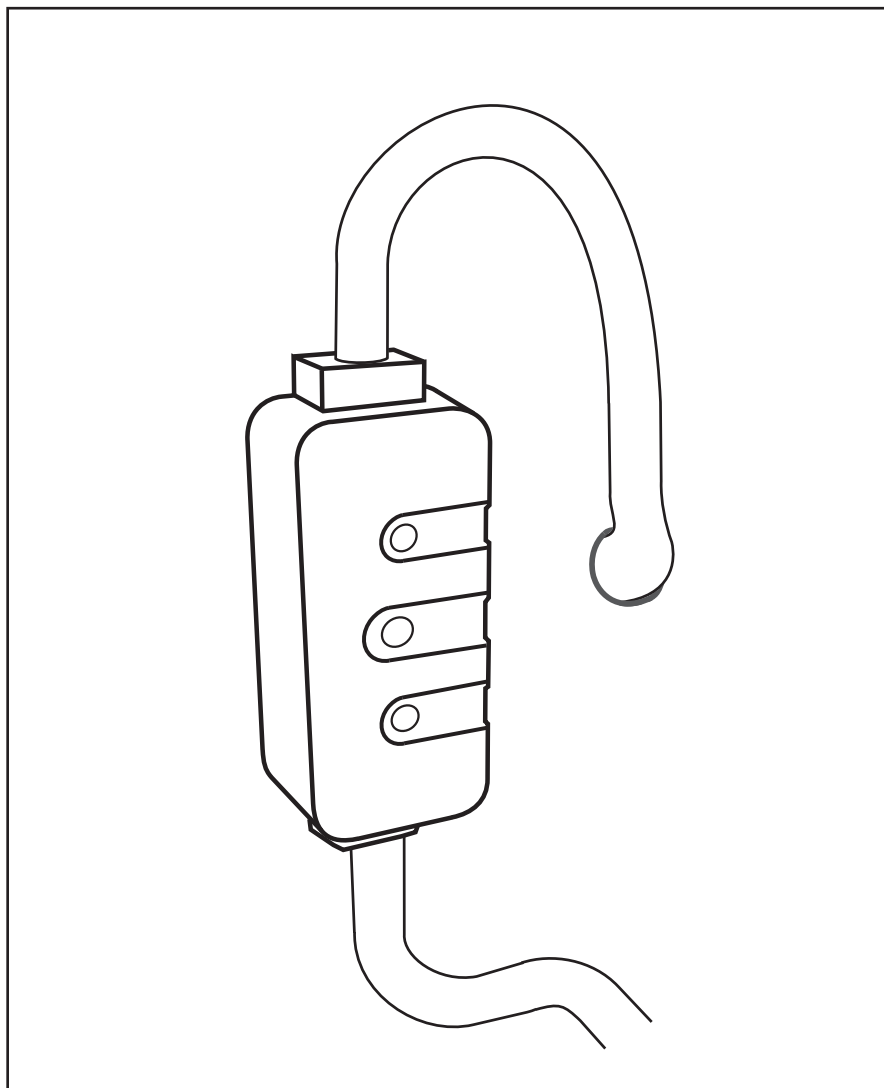


## Condensate Drain Trace Heating Element

**READ THESE INSTRUCTIONS IN CONJUNCTION WITH THE BOILER  
INSTALLATION INSTRUCTIONS**

Part No. 720644401 - 1m  
Part No. 720664101 - 2m  
Part No. 720664201 - 3m  
Part No. 720664301 - 4m  
Part No. 720664401 - 5m



Please leave these instructions with the  
Installation & Servicing Instructions.

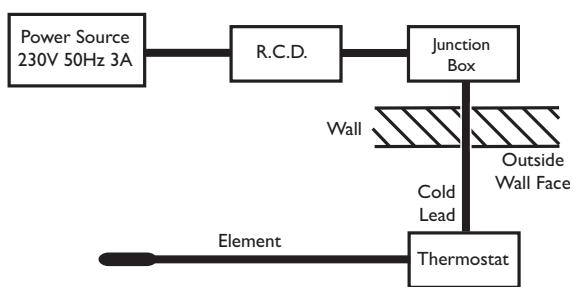
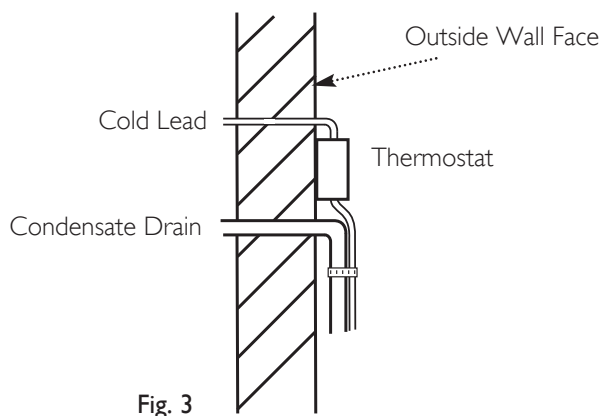
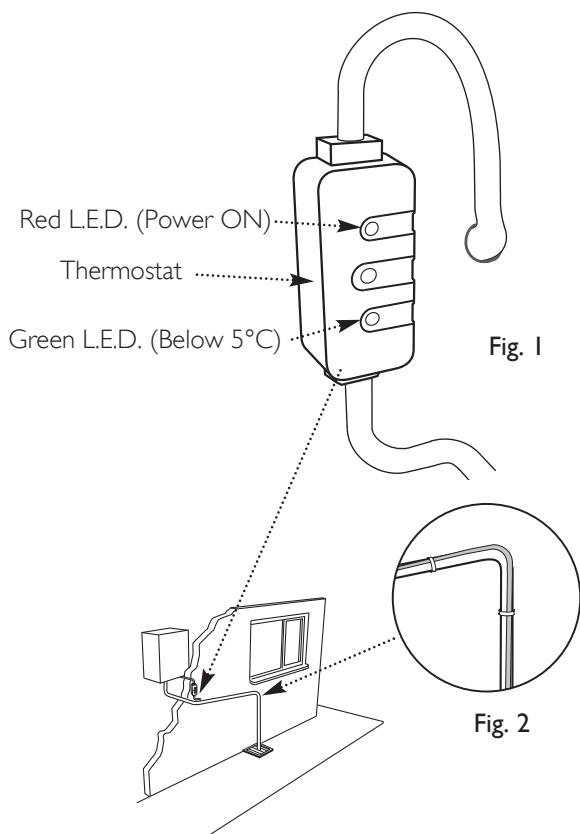


Fig. 4 Wiring Schematic

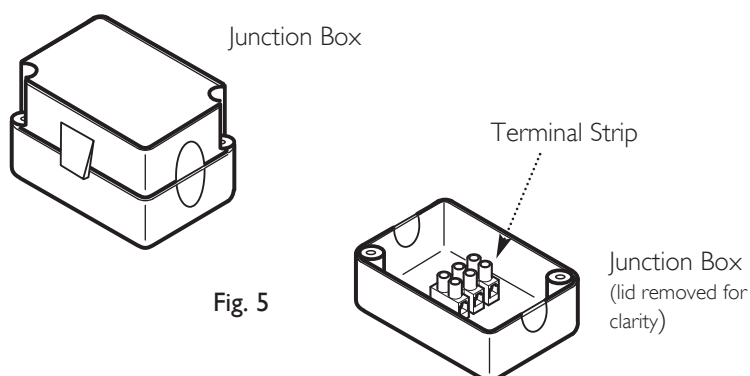


Fig. 5

### Description

1. The Condensate Drain Trace Heating Element can be used to help prevent blockage of the drain due to frozen condensate in sub-zero temperature conditions.
2. The drain must still be appropriately insulated and installed in accordance with the boiler Installation & Servicing Instructions and industry practice & guidelines.
3. **The Trace Heating Element is NOT a substitute for a correctly installed drain system. It must be installed to current IEE Regulations.**

### Fitting

1. Connect and install the condensate drain as described in the boiler Installation & Servicing Instructions.
2. Where the drain passes through the external wall an additional hole to accommodate the 'cold lead' for the Trace Heating Element must be drilled.
3. Mount the Thermostat (Figs. 1 & 3) on the outer face of the property external wall. Loop the 'cold lead' upwards as shown in Fig. 1.
4. Secure the Element to the drain with the cable ties supplied, ensuring that it is routed around the outside of any bends (Fig. 2).
5. Securely fix insulation over the drain and Heating Element. The insulation must be weatherproof and at least 9mm thick. Attach the warning label supplied that indicates the presence of the Element.
6. If the Heating Element has an excess of length it should be 'doubled back' on the drain and secured.
7. Unclip the Junction Box lid and hinge it open. Connect the 'cold lead' end of the Heating Element and the live, neutral & earth from the R.C.D. to the terminal strip. Secure them with the cable clamps in the box.
8. Refit the Junction Box lid and secure it with the screws supplied.
9. The R.C.D. & Junction Box must be inside the property and connected to a suitable permanent live, neutral and earth at either the appliance or system wiring centre (Figs. 4 & 5).
10. When power is established check that the red L.E.D. on the Thermostat is illuminated. The green L.E.D. illuminates below 5°C (Fig. 1).
11. Continue with the installation, making good where the drain and 'cold lead' pass through the external wall.

**MULTIFIT**  
 A Registered Trademark of Baxi Heating UK Ltd (3879156)  
 Brooks House, Coventry Road, Warwick. CV34 4LL  
 Technical Enquiries 0844 871 1555  
 Website:- [www.baxiheating.co.uk](http://www.baxiheating.co.uk)  
 e&oe

PART OF BDR THERMEA