

Part No. 720817001

175 mm
Minimum
Clearance

116mm Dia Minimum
Aperture For Flue Tube

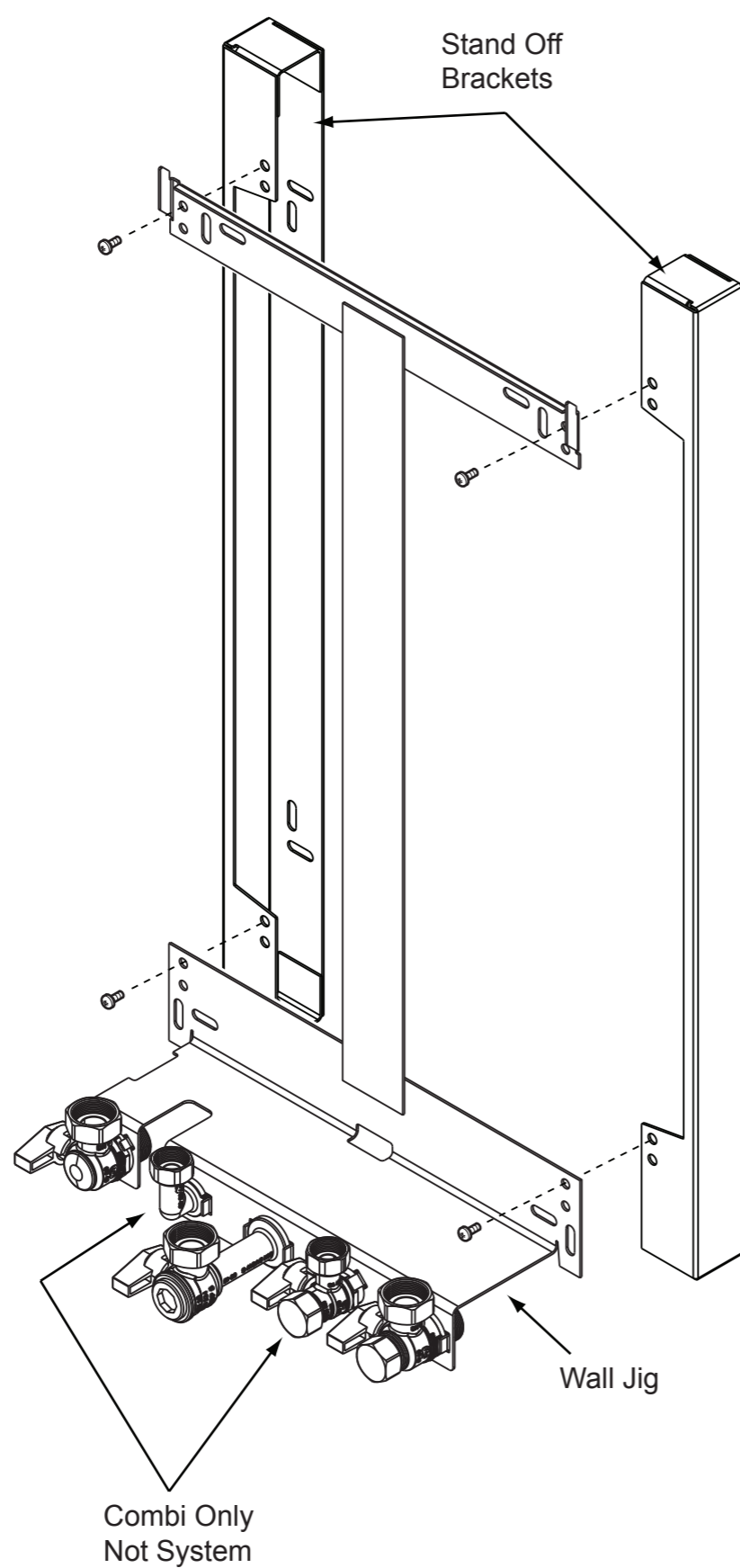
Vertical Flue
Centre Line

Side Flue
Centre Line

177 mm

Boiler Mounting Bracket
Fixing Slots

Stand Off Bracket Fixing Slots



Using this template mark the position of the four most suitable fixing positions for the stand off brackets, flue hole and any pipework.

Drill the wall 8mm diameter and 50mm to accept the plugs in the pipe kit supplied with the boiler.

Assemble the two stand off brackets to the wall jig supplied with the boiler using the M6 screws and nuts supplied in the stand off kit.

Secure the assembly to the wall with the 4 screws from the boiler pipe kit, and check that the assembly is level and square.

Continue with the installation using the extended pipe tails supplied in the stand off kit.

Refer to the template and installation instructions supplied with the boiler for details of condensate discharge pipe runs, flue angle etc.

IMPORTANT: For rear flue installations add 40mm to the distance measured from the outside wall face to the flue elbow to allow for the depth of the stand off brackets.

5 mm Minimum
Side Clearance

5 mm Minimum
Side Clearance

Profile of
Outercase

Stand Off Bracket Fixing Slots

Condensate
Drain

Pressure
Relief
Valve
(15mm)

50 mm 45 mm 65 mm 65 mm 65 mm 65 mm 95 mm 30

200 mm
Recommended
150 mm
Minimum
Clearance

Heating
Flow
(22mm)

Hot Water
Outlet
(15mm)

Gas
Inlet
(22mm)

Cold Water
Inlet
(15mm)

Heating
Return
(22mm)

