

Part No. 7658781

Installation and Operating Instructions

Single Channel Wireless 24 Hour Programmable Room Thermostat

ErP Information

Regulation EU811/2013, supplementing Ecodesign and Energy Labelling Directives 2010/30EU		
Part Number	This Thermostatic Control Device is rated	Correction Factor (Contribution to system energy efficiency)
7658781	Class 'I'	1 %

Please keep these instructions in a safe place.
If you move house, please hand them over to the next occupier.

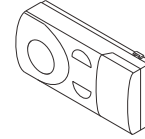
7658807-01 (4/16)

KIT CONTENTS IDENTIFICATION

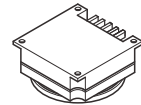
Key No	Description	No Off
A	Instructions	1
B	Programmable Room Thermostat (Transmitter)	1
C	Receiver Unit	1
D	Battery (1.5V LR6/AA)	2
E	Infill Panel	1



A



B



C



D



E

Baxi Customer Support



0344 871 1545



Baxi
Brooks House,
Coventry Road,
Warwick, CV34 4LL



baxi.co.uk

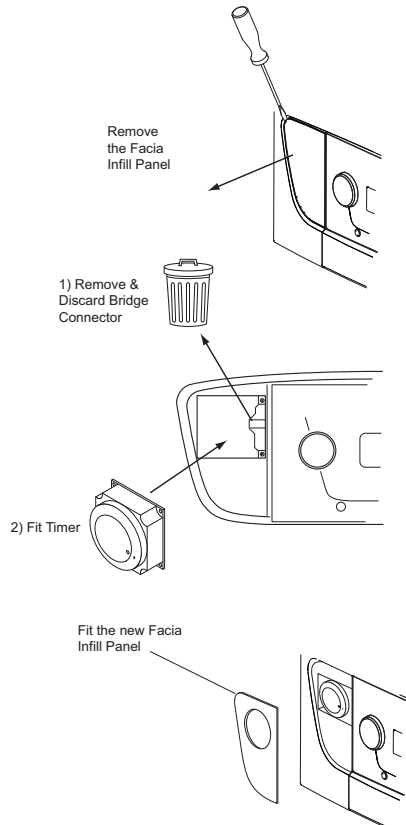
e80e
All descriptions and illustrations provided in this document have been carefully prepared but we reserve the right to make changes and improvements in our products which may affect the accuracy of the information contained in this leaflet. All goods are sold subject to our standard Conditions of Sale which are available on request.

MAKING THE ELECTRICAL CONNECTIONS & FITTING THE RECEIVER

WARNING: Isolate the power supply before proceeding.

Note: The IP rating of the boiler with a plug-in accessory fitted is IP20. Ensure siting is appropriate before installing this accessory.

1. Ensure that the electrical supply to the boiler is isolated.
2. Using a suitable flat bladed screwdriver prise the Blanking Plate from the front left-hand side of the fascia assembly.
3. Remove the two screws securing the Bridge Connector. Discard the Connector and retain the screws.
4. Engage the male spade terminals of the Receiver in the female connectors on the fascia. Secure the Receiver with the screws previously removed.
5. Fit the new Facia Infill Panel over the Receiver and clip into place.
6. Continue with the installation and commissioning of the appliance. Reinstate the electrical supply to the appliance. Set the clock as described in these instructions and according to the requirements of the user. Instruct the user in the operation and setting of the timer.



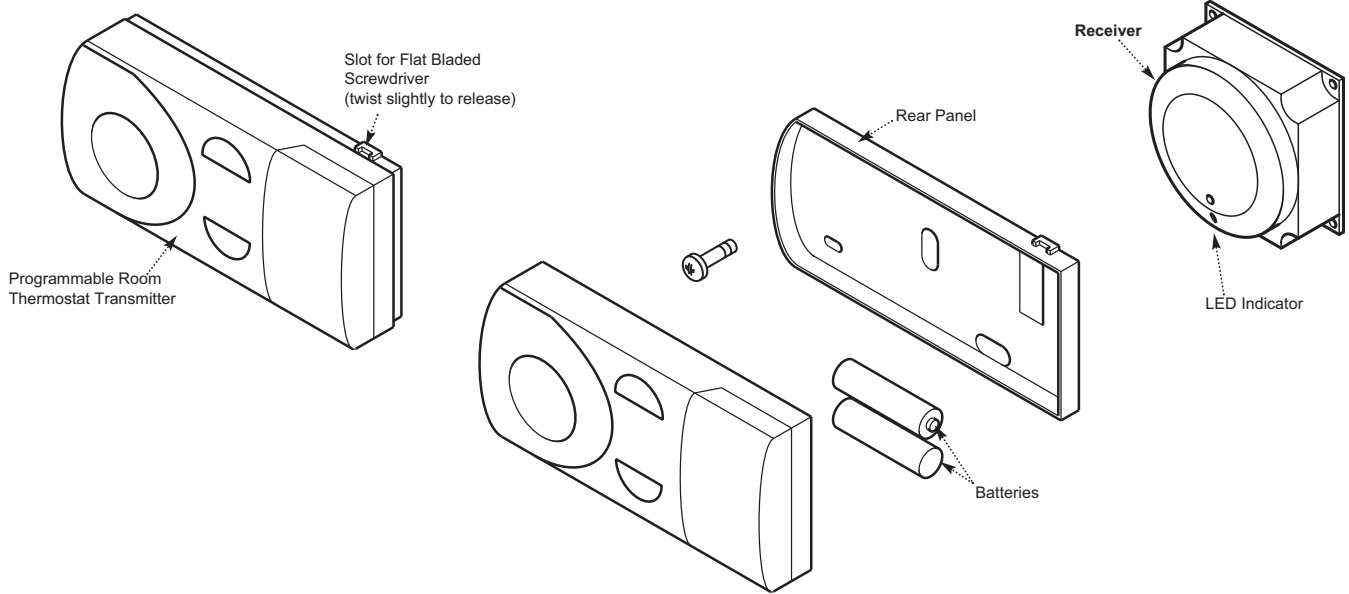
FITTING THE PROGRAMMABLE ROOM THERMOSTAT TRANSMITTER

IMPORTANT: The Receiver and Transmitter are supplied as a 'matched pair' and **MUST** be installed together. Also, in the case of replacement **BOTH** items must be renewed.

1. Ensure that there is power to the boiler and that the boiler is turned ON.
2. Remove the rear panel of the Programmable Room Thermostat Transmitter and, noting the polarity, fit the batteries (2 x 1.5V L R6/AA) supplied. Press the Reset Button on the Transmitter - the Transmitter will begin to communicate with the Receiver within 30 seconds. The Receiver will pick up a signal - this can be confirmed by switching on the Transmitter to create a demand and observing the LED Indicator - see the section ' **OPERATING MODE** ' below.
3. Secure the rear panel of the Transmitter to a suitable wall in the living room or hall. Refit the Transmitter in place on the rear panel.

OPERATING RANGE: Within a building - up to 20 metres. **IMPORTANT:** Avoid positioning large metallic objects, including mirrors, in the 'line - of - sight' between the Transmitter and Receiver as the communication between the two will be adversely affected.

NOTE: Boiler is IP20 when the receiver is fitted - this affects the positioning of the boiler in bath and shower rooms



SETTING THE PROGRAMMABLE ROOM THERMOSTAT

The Programmable Room Thermostat Transmitter has two temperature operating levels, 'Hi' and 'Lo'.

'Hi' Mode: This is set using the 'Hi' dial (5°C to 30°C) and will set the temperature to the level desired when the property is occupied (e.g. 21°C).

'Lo' Mode: This is set using the 'Lo' dial (5°C to 15°C) and will set the temperature to the level desired when the property is unoccupied or at night (e.g. 10°C).

To Set The Time: Slide the cover (A) off the unit. Rotate the timer clock clockwise until the time is correct as indicated by the timer pointer.

To Set The 'Hi' & 'Lo' Central Heating Times: Move the tappets outwards for 'Hi' times and inwards for 'Lo' times. Each tappet = 15 minutes.

Summer: During the summer it is recommended that 'Lo' is selected using the 3 position switch.

Holiday Periods: When going on holiday set both dials to 5°C to provide frost protection of the property.

To Set The Operating Mode: Slide the three position selector switch... to the desired position:-

- Hi** = Temperature maintained at 'Hi' setting (irrespective of tappet position)
- L** = Temperature alternates between 'Hi' & 'Lo' temperature periods
- Lo** = Temperature maintained at 'Lo' setting (irrespective of tappet position)

OPERATING MODE

Receiver

If the LED is Off then the Central Heating is Off.

If the LED is On then the Central Heating is On.

If the LED is continuously flashing once every 2 seconds then the batteries in the Programmable Room Thermostat Transmitter are low & will soon require replacement.

If the LED is continuously flashing twice every second then the batteries in the Programmable Room Thermostat Transmitter must be replaced immediately.

Programmable Room Thermostat Transmitter

If the LED is continuously flashing YELLOW once every 2 seconds then the batteries in the Programmable Room Thermostat Transmitter are low & will soon require replacement. If the LED is continuously flashing RED twice every second then the batteries in the Programmable Room Thermostat Transmitter must be replaced immediately.

Emergency Mode

If the receiver LED is continuously flashing 2 or 3 times a second then communication between the Receiver & Transmitter has been lost. In this instance the Receiver enters Emergency Mode. The Central Heating will operate for 3 minutes, followed by an Off period of 9 minutes, then 3 minutes On again, repeating this sequence until the fault has been rectified.

The unit will enter Emergency Mode when the following occurs:-

- i) Communication between the Receiver & Transmitter is lost for over an hour.
- ii) The batteries have become discharged.

NOTE: When Emergency Mode is activated Baxi Group cannot be held liable for any excess consumption of gas.

Re-establishing Communication

The communication between the Receiver & Transmitter can be re-established at any time by pressing the Reset button on the Transmitter. This must be done every time the batteries are renewed.

NOTE: When any of the Room Thermostat settings have been changed they will normally be communicated to the receiver unit on the boiler within 20 seconds, but may under certain circumstances take up to 3 minutes.

